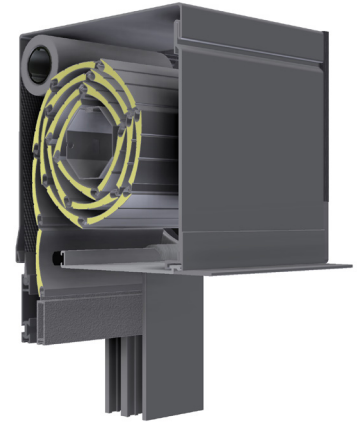




External CONCEALED roller shutter 90°



- HEAT PROTECTION
- ANTI-THEFT PROTECTION
- LIGHT REGULATION
- DIMMING
- UV PROTECTION
- HEATING / COOLING SAVINGS

External CONCEALED roller shutter 90° with ALU cabinet, closed on all sides. Bottom revision cover and insulation bracket made of thick-walled extruded aluminium, which ensures the compactness and durability of the cabinet. Cabinet comes with a brush that prevents insects from entering the room. The shaft is galvanized and mounted on aluminium end cap with ball bearings. Guiderails are aesthetically finished with plastic ends and fixed brushes for quieter operation. Weighted end slats made from aluminium. Roll-up mosquito net including the brake for easier lifting.

SLATS | Color palette:

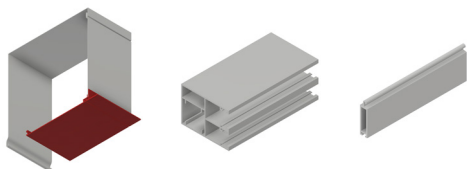
	PC1	01 WHITE	02 D. CHOCO	03 SILVER	04 BEIGE
		11 ANTIKO GRIGIO	12 ANTHRACITE	52 DB 703	
	PC1	01 WHITE	02 D. CHOCO	03 SILVER	05 L. CHOCO
		12 ANTHRACITE	14 RAL 9007	52 DB 703	
	PC1	01 WHITE	04 BEIGE	06 ASH	09 HAZELNUT
		10 GREY	15 L. GREY	08 GREEN	

ALU slats are filled with insulation – polyurethane foam, standard fitted with anti-theft springs. Machine slat binding ensures a quieter and more reliable operation.

	PC2	04 BEIGE	08 GREEN	10 L. GREY	11 ANTIKO GRIGIO	13 GRAPHITE
		15 OCHRE	18 RAL 8017			
	PC3	06 ASH	07 WALNUT	16 GOLDEN OAK		
		17 WALNUT GFA	21 RAL 3011			

WARNING: Certain colours on the chart may vary from original!

CABINET, GUIDERAILS, END SLAT | Color palette:



PC1	013 WHITE	010 RAL 9006	090 RAL 9007
	042 RAL 7016	066 RAL 8019	052 DB 703
PC2			

WARNING: Certain colours on the chart may vary from original!



MANIPULATION:

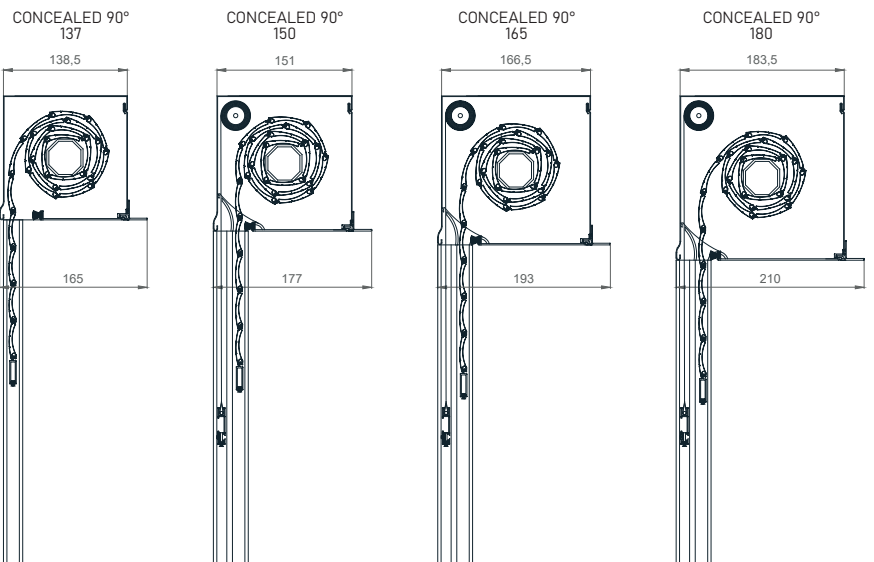
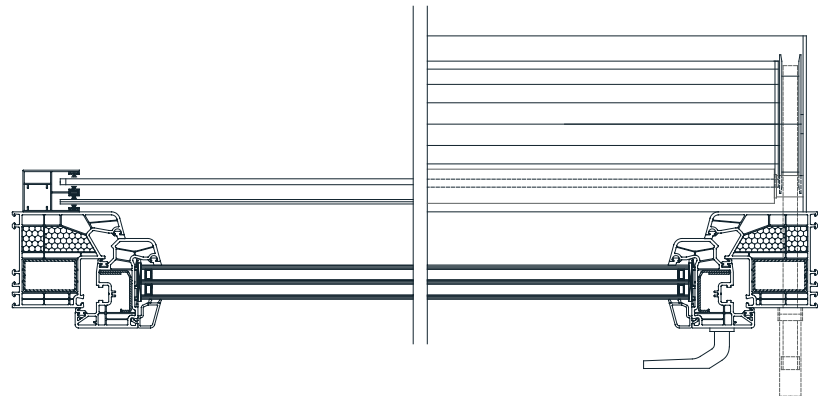
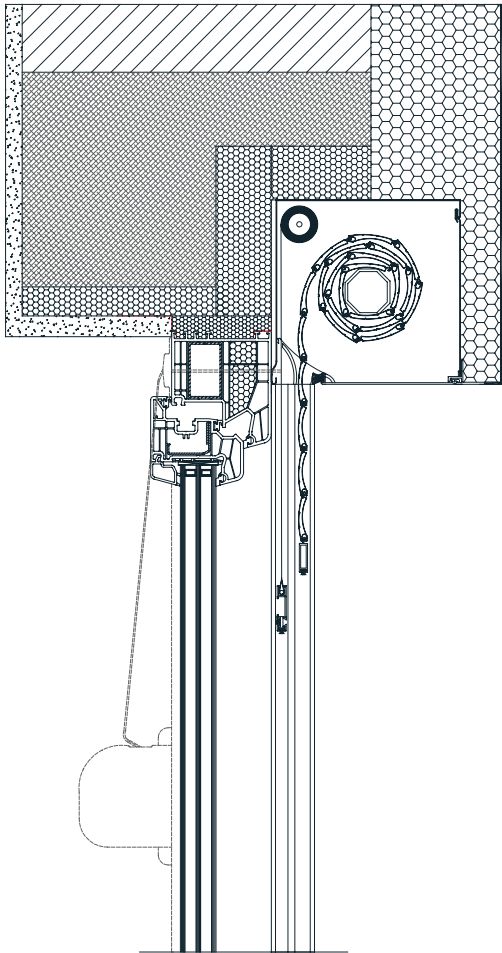


Manipulation is possible with automaton or electrical motor. For motor operation there is the standard PLUG & PLAY function, which allows the connection of several motors to a single switch, self-adjusting positions and the safety function in the event of an obstacle.

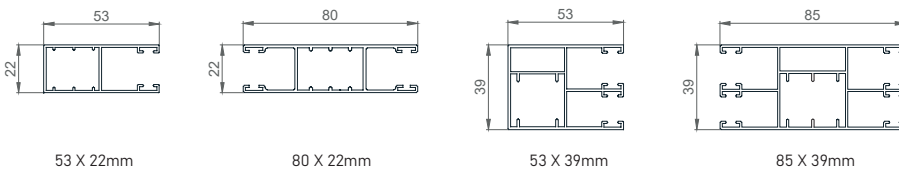
External CONCEALED roller shutter 90°



TEHNICAL DRAWINGS | Shade details:



GUIDERAILS



SLATS

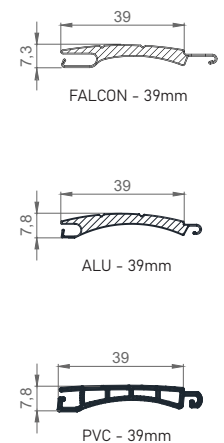


TABLE OF BOX (CABINET) SIZES

Slat/Shaft cabinet size	FALCON / 60mm		ALU / 40mm		ALU / 60mm		PVC / 40mm		PVC / 60mm	
	MOS.		MOS.		MOS.		MOS.		MOS.	
13,7 cm	105,0	-	173,9	-	146,3	-	146,3	-	126,8	-
15,0 cm	130,0	105,0	204,9	150,8	189,9	139,9	182,0	123,5	158,6	104,0
16,5 cm	195,0	130,0	265,0	202,3	249,9	199,9	221,9	186,5	202,3	171,1
18,0 cm	245,0	210,0	319,9	255*	309,9	255*	277,7	255*	257,6	255*
19,0 cm	270,0	250,0	-	-	-	-	-	-	-	-
20,5 cm	-	-	407,1	*	376,2	*	341,1	*	360,6	*