



# External CONCEALED roller shutter 20°



- HEAT PROTECTION
- ANTI-THEFT PROTECTION
- LIGHT REGULATION
- DIMMING
- UV PROTECTION
- HEATING / COOLING SAVINGS

Concealed mount-on roller shutters 20° differ from the 90° shutters in the shape of the lower service panel, which is curved at a 20° angle. The angle gives the shutter a better shape and strengthens the bottom panel. The curvature of the panel can be partly seen from the side, which can in combination with shutter and exterior wall colour contribute to a unique appearance.

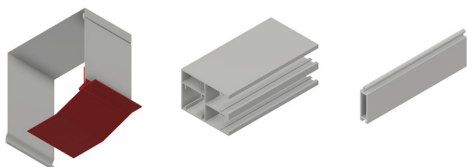
## SLATS | Color palette:

WARNING: Certain colours on the chart may vary from original!

<p>ALU 39mm</p>	PC1	01 WHITE	02 D. CHOCO	03 SILVER	05 L. CHOCO	PC2	04 BEIGE	08 GREEN	10 L. GREY	11 ANTIKO GRISO	13 GRAPHITE	PC3	06 ASH	07 WALNUT	16 GOLDEN OAK
		12 ANTHRACITE	14 RAL 9007	52 EB 703			15 OCHRE	18 RAL 8017					17 WALNUT SEA	21 RAL 3011	
<p>FALCON PERFO</p>	PC1	01 WHITE	02 D. CHOCO	03 SILVER	04 BEIGE										
		11 ANTIKO GRISO	12 ANTHRACITE	14 GREY	52 EB 703										
<p>FALCON</p>	PC1	01 WHITE	03 SILVER												
		12 ANTHRACITE	52 EB 703												

ALU slats are filled with insulation - polyurethane foam, standard fitted with anti-theft springs. Machine slat binding ensures a quieter and more reliable operation.

## CABINET, GUIDERAILS, END SLAT | Color palette:



PC1	013 WHITE	010 RAL 9006	090 RAL 9007	<p>SURCHARGE</p>
	042 RAL 7054	066 RAL 8032	052 EB 703	

WARNING: Certain colours on the chart may vary from original!



## MANIPULATION:

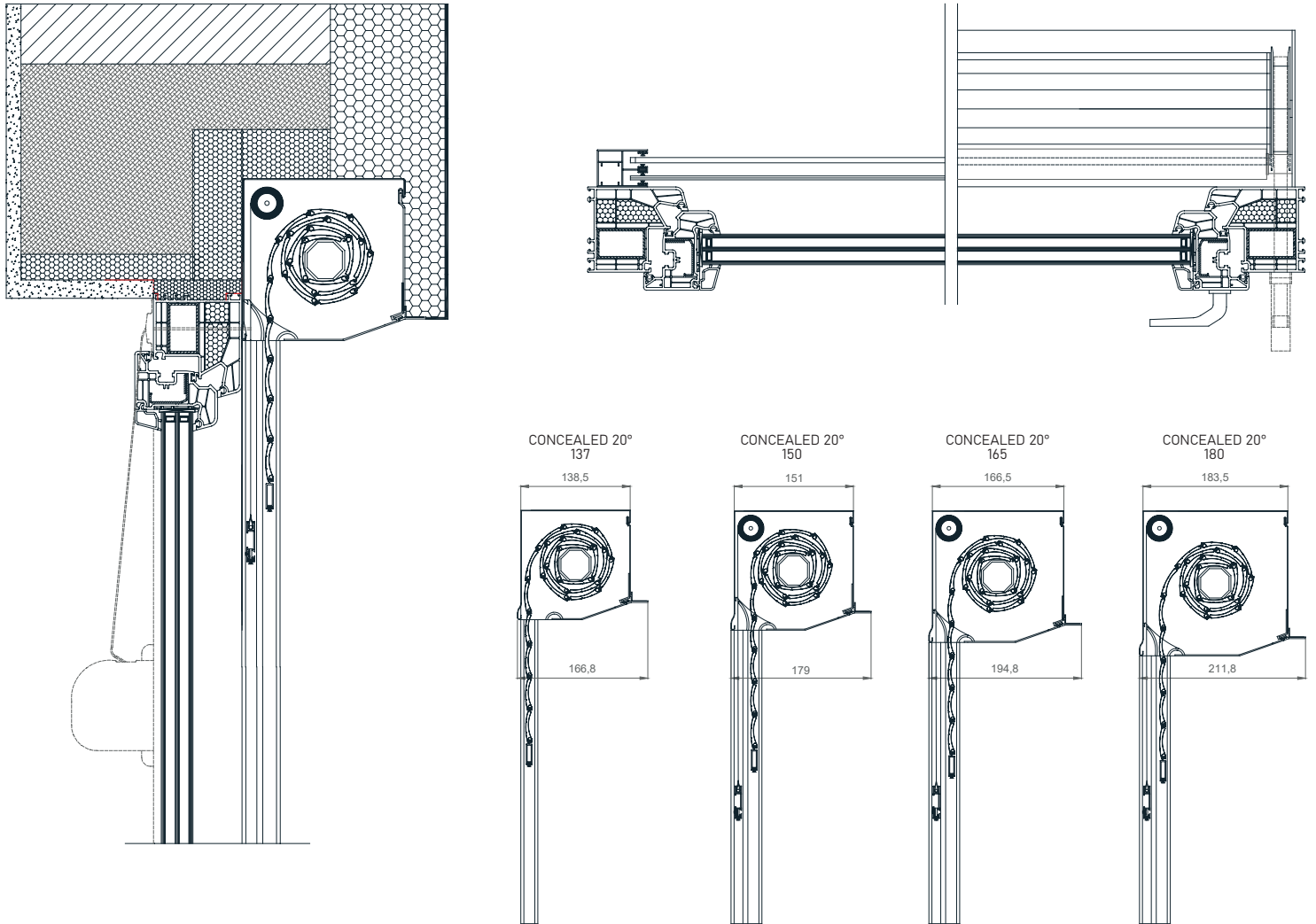


Manipulation is possible with automaton or electrical motor. For motor operation there is the standard PLUG & PLAY function, which allows the connection of several motors to a single switch, self-adjusting positions and the safety function in the event of an obstacle.

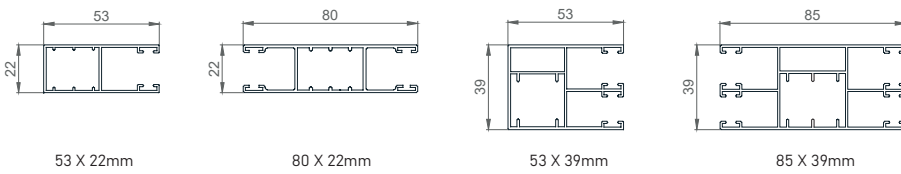


# External CONCEALED roller shutter 20°

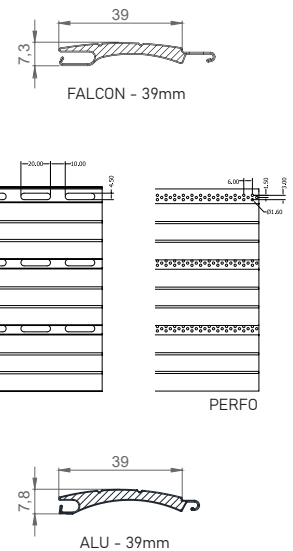
## TEHNIICAL DRAWINGS | Shade details:



### GUIDERAILS



### SLATS



### TABLE OF BOX (CABINET) SIZES

Slat/Shaft cabinet size	FALCON / 60mm		ALU / 40mm		ALU / 60mm	
		MOS.		MOS.		MOS.
13,7 cm	109,0	-	173,9	-	146,3	-
15,0 cm	134,0	104,0	204,9	150,8	189,9	130,9
16,5 cm	184,0	141,0	265,0	202,3	249,9	189,9
18,0 cm	249,0	204,0	319,9	255*	309,9	255*
20,0 cm	-	-	-	-	-	-