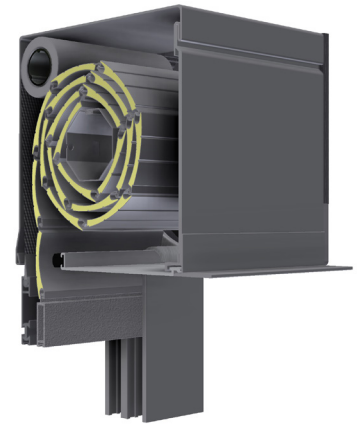




# External CONCEALED roller shutter 90°



- HEAT PROTECTION
- ANTI-THEFT PROTECTION
- LIGHT REGULATION
- DIMMING
- UV PROTECTION
- HEATING / COOLING SAVINGS

External CONCEALED roller shutter 90° with ALU cabinet, closed on all sides. Bottom revision cover and insulation bracket made of thick-walled extruded aluminium, which ensures the compactness and durability of the cabinet. Cabinet comes with a brush that prevents insects from entering the room. The shaft is galvanized and mounted on aluminium end cap with ball bearings. Guiderails are aesthetically finished with plastic ends and fixed brushes for quieter operation. Weighted end slats made from aluminium. Roll-up mosquito net including the brake for easier lifting.

## SLATS | Color palette:

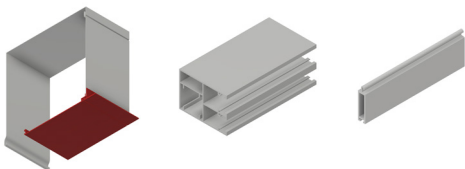
WARNING: Certain colours on the chart may vary from original!

	PC1	01 WHITE	02 D. CHOCO	03 SILVER	05 L. CHOCO	PC2	04 BEIGE	08 GREEN	10 L. GREY	11 ANTIKO GRISO	13 GRAPHITE	PC3	06 ASH	07 WALNUT	16 GOLDEN OAK
		12 ANTHRACITE	14 RAL 9007	52 EB 703			15 OCHRE	18 RAL 8017	24 RAL 9005				17 WALNUT SEA		
	PC1	01 WHITE	02 D. CHOCO	03 SILVER	04 BEIGE										
		11 ANTIKO GRISO	12 ANTHRACITE	14 GREY	52 EB 703										
	PC1	01 WHITE	03 SILVER												
		12 ANTHRACITE	52 EB 703												

\* colors 02, 04, 11, 14 available for orders over 50m²

ALU slats are filled with insulation - polyurethane foam, standard fitted with anti-theft springs. Machine slat binding ensures a quieter and more reliable operation.

## CABINET, GUIDERAILS, END SLAT | Color palette:



PC1	013 WHITE	010 RAL 9006	090 RAL 9007	
	042 RAL 7005	066 RAL 8012	052 EB 703	

WARNING: Certain colours on the chart may vary from original!



## MANIPULATION:

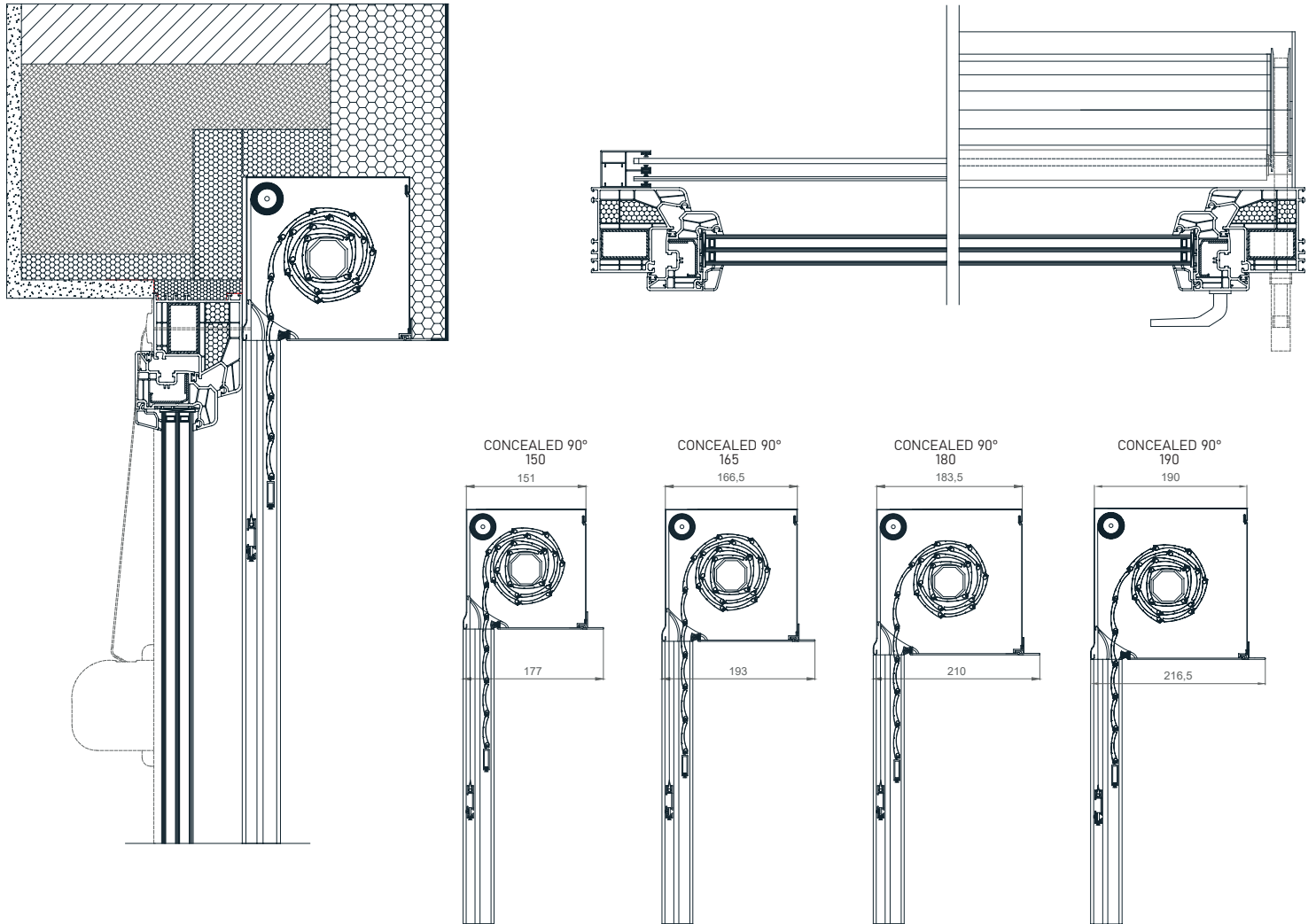


Manipulation is possible with automaton or electrical motor. For motor operation there is the standard PLUG & PLAY function, which allows the connection of several motors to a single switch, self-adjusting positions and the safety function in the event of an obstacle.

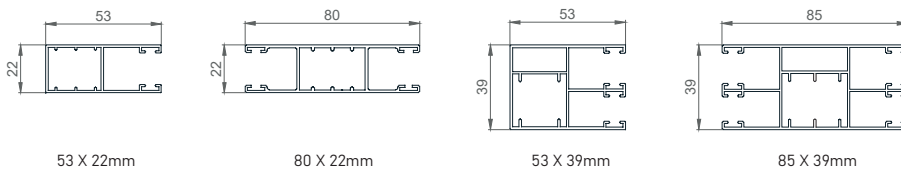


# External CONCEALED roller shutter 90°

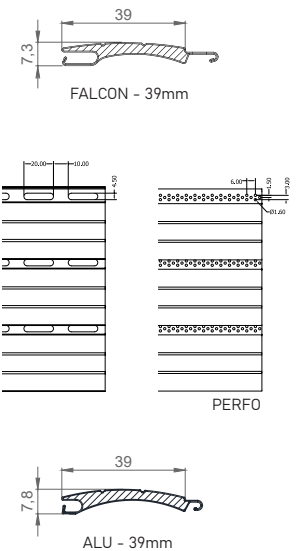
## TEHNICAL DRAWINGS | Shade details:



### GUIDERAILS



### SLATS



### TABLE OF BOX (CABINET) SIZES

Slat/Shaft cabinet size	FALCON / 60mm		ALU / 40mm		ALU / 60mm	
	-	MOS.	-	MOS.	-	MOS.
13,7 cm	-	-	-	-	-	-
15,0 cm	134,0	104,0	204,9	150,8	189,9	130,9
16,5 cm	184,0	141,0	265,0	202,3	249,9	189,9
18,0 cm	249,0	210,0	319,9	255*	309,9	255*
19,0 cm	269,0	235,0	334,9	-	324,9	-