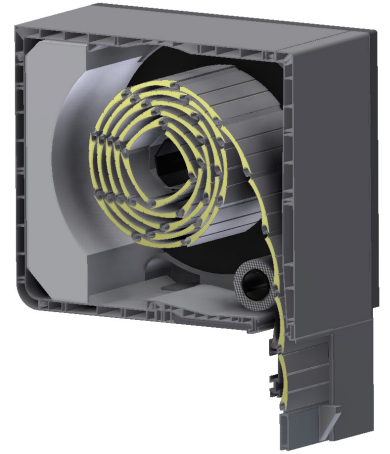
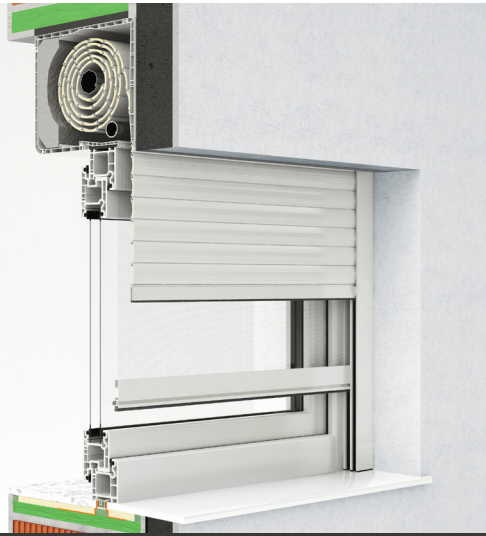




Built-in roller shutter MULTI-ROLLBOX



- HEAT PROTECTION
- ANTI-THEFT PROTECTION
- LIGHT REGULATION
- DIMMING
- UV PROTECTION
- HEATING / COOLING SAVINGS

The first type of built-in roller shutters is the shutter with a PVC built-in box, MULTI-ROLLBOX with dimensions 200x230 mm. It is distinguished by particularly attractive curved design, optionally mounted insect screen, excellent insulation, stronger construction, and a simple economical installation, where the box can be mounted to remain visible or installed under facade. Suitable for installation on all types of windows.

SLATS | Color palette:

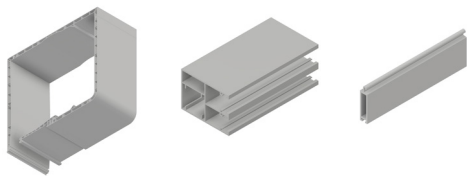
WARNING: Certain colours on the chart may vary from original!

	PC1	01 WHITE	02 D. CHOCO	03 SILVER	05 L. CHOCO	PC2	04 BEIGE	08 GREEN	10 L. GREY	11 ANTIKO GRISO	13 GRAPHITE	PC3	06 ASH	07 WALNUT	16 GOLDEN OAK
		12 ANTHRACITE	14 RAL 9007	52 EB 703			15 OCHRE	18 RAL 8017	24 RAL 9005				17 WALNUT SEA		
	PC1	01 WHITE	02 D. CHOCO	03 SILVER	04 BEIGE										
		11 ANTIKO GRISO	12 ANTHRACITE	14 GREY	52 EB 703										
	PC1	01 WHITE	03 SILVER												
		12 ANTHRACITE	52 EB 703												

* colors 02, 04, 11, 14 available for orders over 50m²

ALU slats are filled with insulation - polyurethane foam, standard fitted with anti-theft springs. Machine slat binding ensures a quieter and more reliable operation.

CABINET, GUIDERAILS, END SLAT | Color palette:



PC1	013 WHITE	010 RAL 9006	090 RAL 9007	
	042 RAL 7005	066 RAL 8012	052 EB 703	

WARNING: Certain colours on the chart may vary from original!



MANIPULATION:

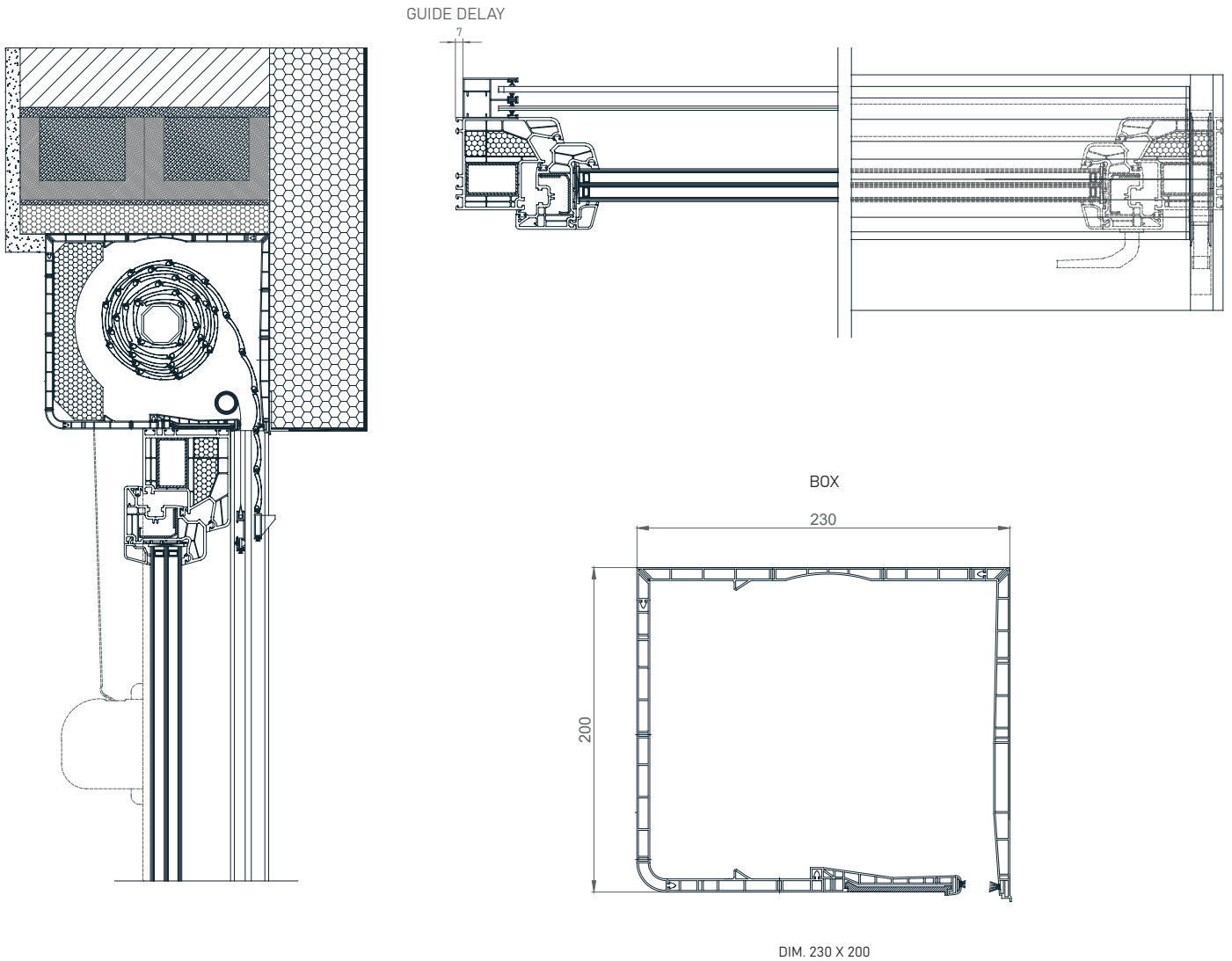


Manipulation is possible with automaton or electrical motor. For motor operation there is the standard PLUG & PLAY function, which allows the connection of several motors to a single switch, self-adjusting positions and the safety function in the event of an obstacle.

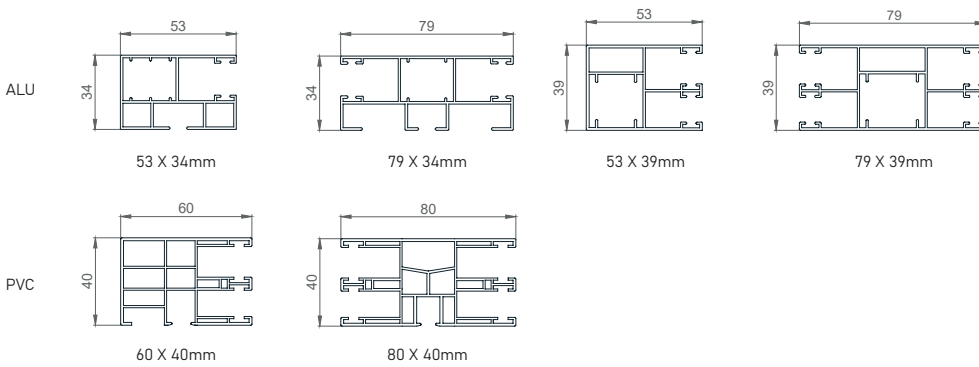
Built-in roller shutter MULTI-ROLLBOX



TEHNICAL DRAWINGS | Shade details:



GUIDERAILS



SLATS

